

NOTE:

Moulded Case Circuit Breaker	MG / Hitachi/Ha
Minature Circuit Breaker	MG / Hager
Earth Leakage Relay	Hager / Kasuga
Surge Arrester	Novaris SD3-40N/3X
AC & DC Relay	Omrroh / Relpo

INVITATION REFERENCE NO:
MCMC/RDD/PDD(4)/T3_Extn(P2)/
TCA/12/14(12)

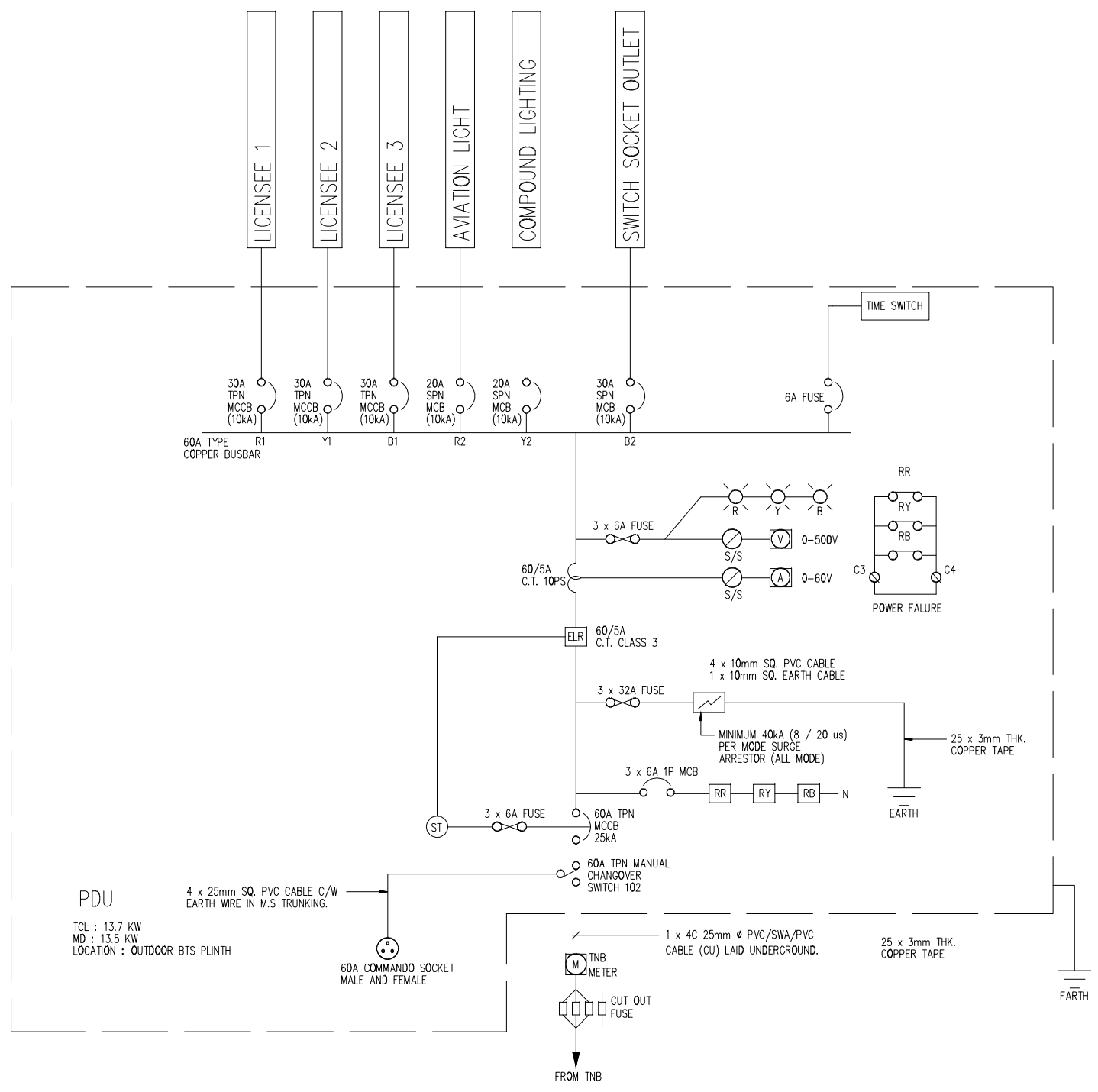
PROJECT TITLE:

TIME 3 - EXTENSION

DRAWING TITLE:

DRAWING 6:
PDU ELECTRICAL SINGLE LINE DIAGRAM
[60 AMPS]

DATE: DEC 2014 **SCALE:** N.T.S



PDU
TCL : 13.7 KW
MD : 13.5 KW
LOCATION : OUTDOOR BTS PLINTH

60A COMMANDO SOCKET
MALE AND FEMALE

FROM TNB