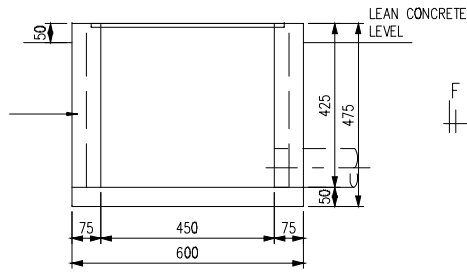
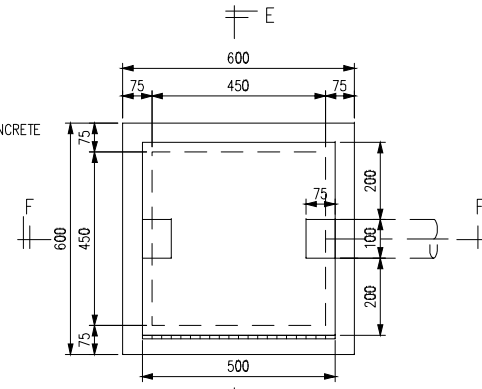


SECTION E-E

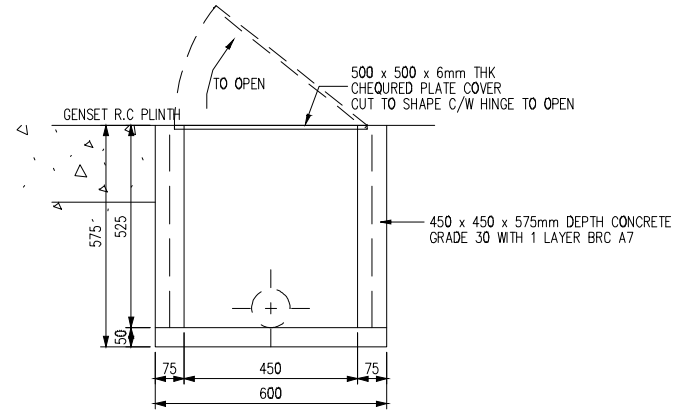
INSPECTION PIT C



SECTION F-F

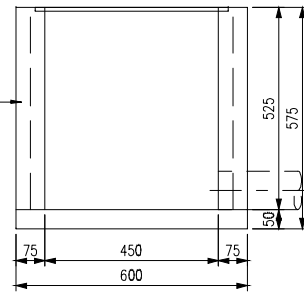


PLAN

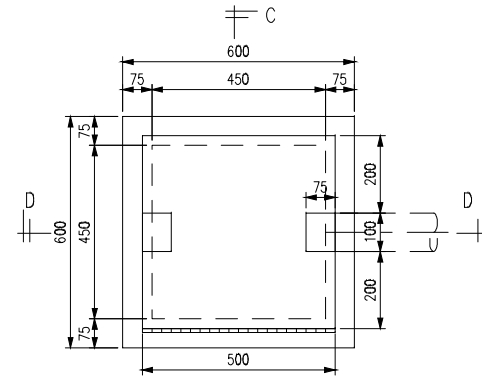


SECTION C-C

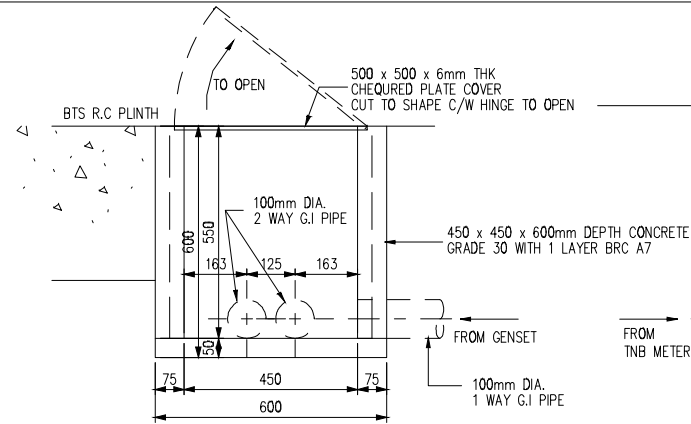
INSPECTION PIT B



SECTION D-D

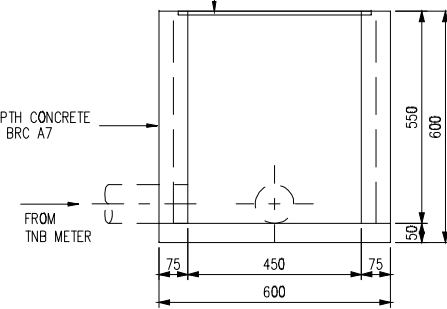


PLAN

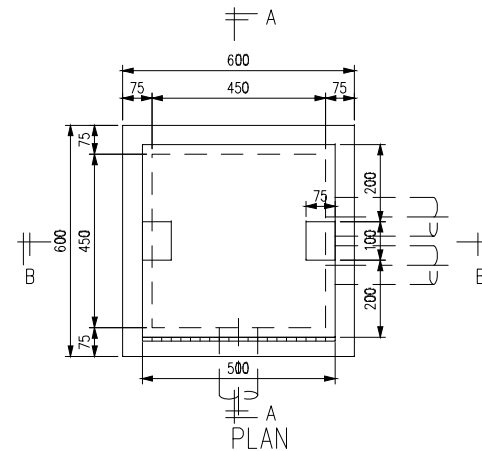


SECTION A-A

INSPECTION PIT A



SECTION B-B



PLAN

NOTE:

INVITATION REFERENCE NO:
MCMC/RDD/PDD(4)/T3_Extn(P2)/
TCA/12/14(12)

PROJECT TITLE:

TIME 3 - EXTENSION

DRAWING TITLE:

DRAWING 5:
INSPECTION PIT A,B AND C
PLAN, SECTION AND DETAILS

DATE:

DEC 2014

SCALE:

1 : 15