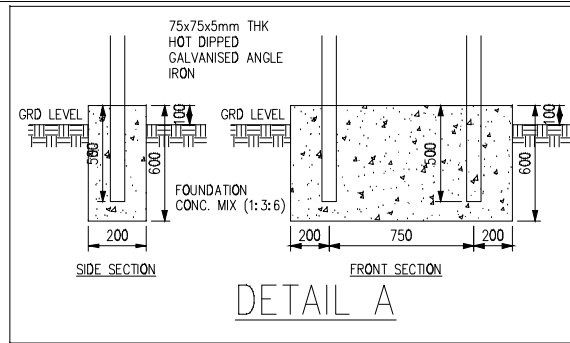
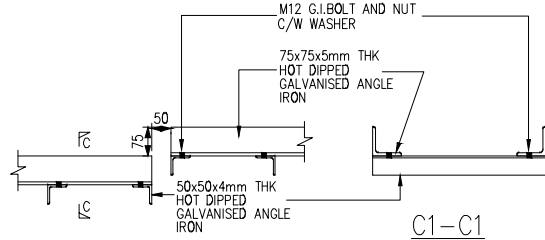
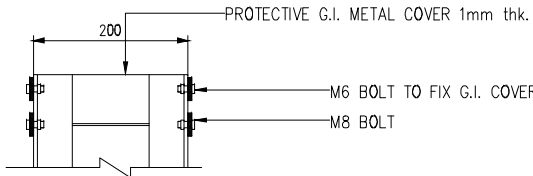


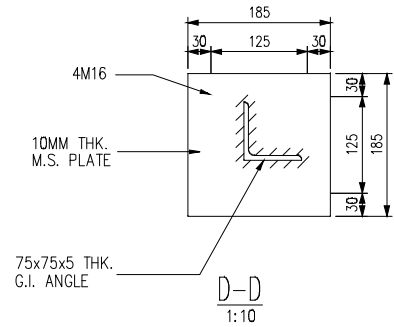
PLAN



DETAIL A

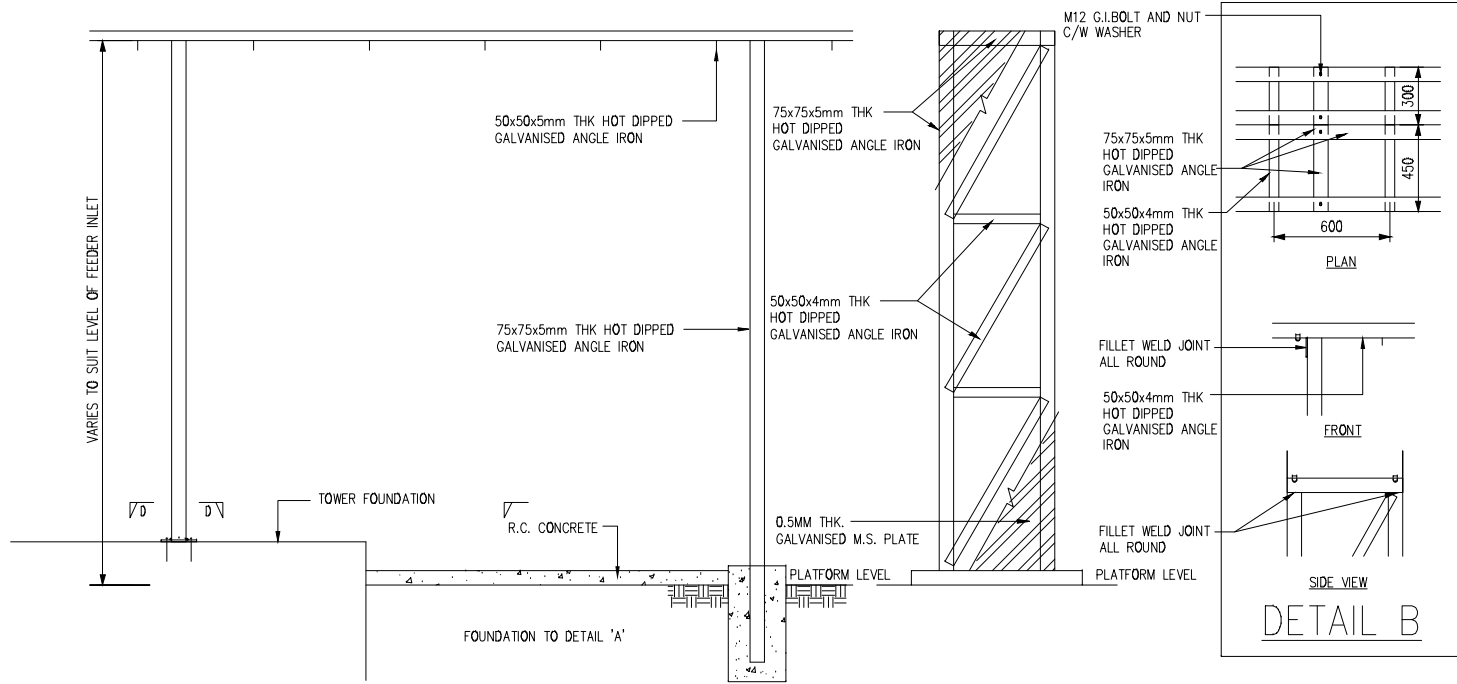


DETAIL C  
N.T.S.

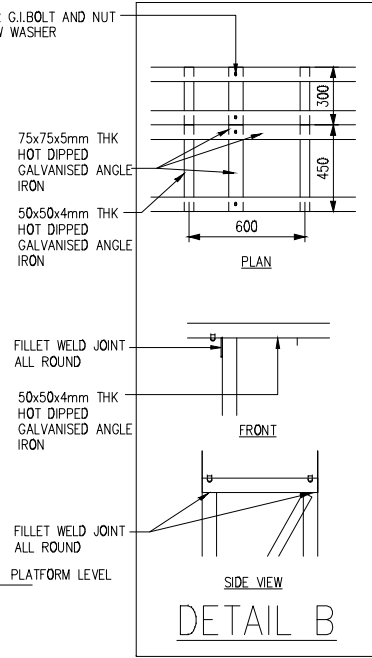


D-D  
1:10

GANTRY G.I. COVER



ELEVATION



DETAIL B

NOTE:

INVITATION REFERENCE NO:  
MCMC/RDD/PDD(4)/T3\_Extn(P2)/  
TCA/12/14(12)

PROJECT TITLE:  
  
TIME 3 - EXTENSION

DRAWING TITLE:  
  
DRAWING 11:  
HORIZONTAL CABLE GANTRY DETAILS