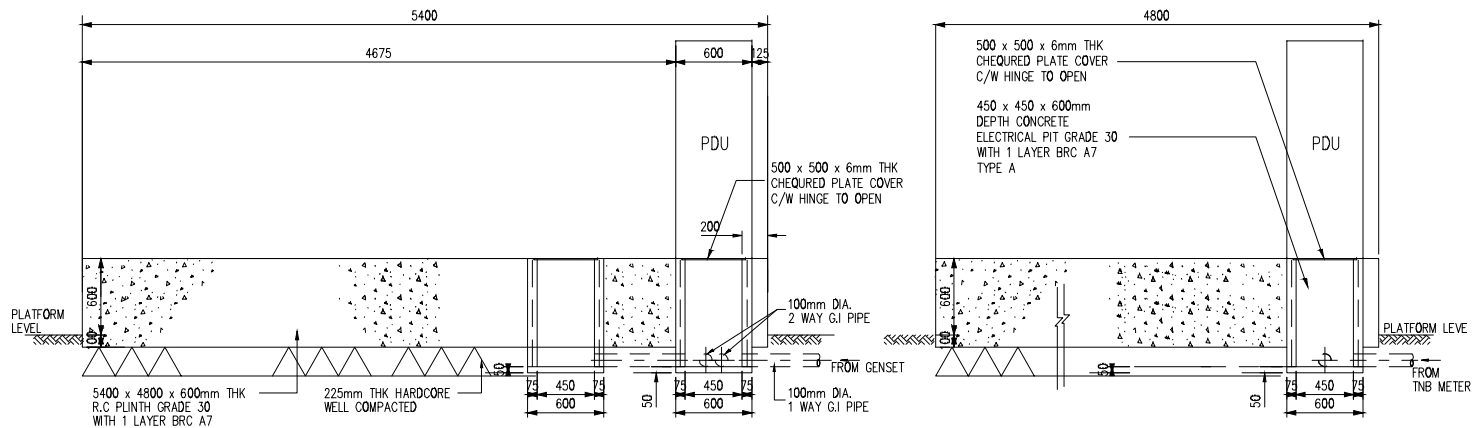


LAYOUT PLAN OF BTS PLINTH



LONG SECTION OF BTS PLINTH

CROSS SECTION OF BTS PLINTH

NOTE:

INVITATION REFERENCE NO:  
MCMC/RDD/PDD(4)/T3\_Extn(P2)/  
TCA/12/14(12)

PROJECT TITLE:

TIME 3 - EXTENSION  
(NATURAL DISASTER DESIGN)

DRAWING TITLE:

DRAWING 2:  
NATURAL DISASTER DESIGN FOR  
DETAILS OF BTS PLINTH FOR SITE WITH  
TOWER 76m LIGHT DUTY  
PLAN, SECTIONS AND DETAILS

DATE: DEC 2014

SCALE: 1:40