



IMPORT EXPORT TRANSIT & TRANSHIPMENT

Royal Malaysia Customs

OUTLINE

- **OBJECTIVES AND RESPONSIBILITIES OF RMCD**
- **ORGANIZATIONAL SET-UP**
- **LEGISLATIONS**
- **CUSTOMS PROCEDURES**

OBJECTIVES

- **TO COLLECT CUSTOMS DUTIES AND TAXES**
- **TO PREVENT LOSS OF REVENUE BY COMBATING SMUGGLING**
- **TO ASSIST INDUSTRIES BY PROVIDING FACILITIES**

RESPONSIBILITIES

- **ASSIST GOVERNMENT IN FORMULATING POLICIES RELATING TO INDIRECT TAXES**
- **PLAN, CREATE AND IMPLEMENT TECHNIQUES FOR EFFICIENT COLLECTION OF REVENUE**
- **EFFECTIVE METHOD TO COMBAT SMUGGLING**
- **PROMOTE RAPID GROWTH OF LOCAL INDUSTRIES**
- **ACT ON BEHALF OF OTHER DEPARTMENTS / MINISTRIES TO CONTROL IMPORT & EXPORT & IN-TRANSIT**
- **PARTICIPATE ACTIVELY IN THE ACTIVITIES OF INTERNATIONAL BODIES**
- **TRADE FACILITATION**

MAIN LEGISLATIONS

- **CUSTOMS ACT 1967**
- **EXCISE ACT 1976**
- **SALES TAX ACT 1972**
- **SERVICE TAX ACT 1975**
- **FREE ZONE ACT 1990**
- **VEHICLE LEVY ACT 1983**
- **WINDFALL PROFIT LEVY ACT 1998**
- **ANTI DUMPING DUTY ACT 1993**
- **STRATEGIC TRADE ACT 2010**

SUBSIDIARY LEGISLATION

- **CUSTOMS REGULATIONS 1977**
- **CUSTOMS (PROHIBITION OF IMPORT) ORDER 2012**
- **CUSTOMS (PROHIBITION OF EXPORT) ORDER 2012**
- **CUSTOMS RESTRICTIONS OF MOVEMENT ORDER 2000**
- **CUSTOMS DUTIES (EXEMPTION) ORDER 1988**
- **CUSTOMS DUTIES ORDER 2012**
- **CUSTOMS DUTIES (GOODS OF ASEAN COUNTRIES ORIGIN) ORDER 2007**
- **CUSTOMS (RULES OF VALUATION) REGULATION 1999**

Customs Documentation

Form No.	Description
Customs No.1	Declaration of Goods Imported
Customs No.2	Declaration of Goods Exported
Customs No.3	Permit to Transport Duty Paid Goods Within The Federation
JKED No.4	Inward, Outward & Transhipment Manifest
Customs No.8	Application / Permit / to Move / Transit Duty Unpaid Goods
Customs No.9	Permit to remove goods from Warehouse

CUSTOMS COMPOSITE FORMS

No.	Present Forms	Used For	Composite Forms
1.	Customs No.4	Inward Manifest	JKED No.4
2.	Customs No.5	Outward Manifest	
3.	Customs No.6	Transshipment	
4.	Customs No.13	Warehouse License	JKED No.3
5.	Customs No.14	Mfg. License	
6.	Sales Tax No.2	Sales Tax License	
7.	Service Tax No.2	Service Tax License	
8.	Sales Tax No.3	Sales Tax Return	CJP 1
9.	Service Tax No.3	Service Tax Return	

PARTICULARS OF MANIFEST

- ✓ Vessel ID/Name
- ✓ Voyage Number (SCN)
- ✓ Shipping Agent
- ✓ B/L Number
- ✓ Description of cargo
- ✓ Total packages
- ✓ Weights
- ✓ POL/POD
- ✓ Consignee's Name/
Address
- ✓ Consignor's Name/
Address
- ✓ Notifying Party

KASTAM DIRAJA MALAYSIA / ROYAL MALAYSIA CUSTOMS
DAFTAR MUATAN MASUK/DAFTAR MUATAN KELUAR/DAFTAR MUATAN PEMINDAHAN
INWARD MANIFEST/OUTWARD MANIFEST/TRANSHIPMENT MANIFEST
 (Seksyen 52, 54, 56, 57, 58 dan 59 Akta Kastam 1967)
 (Sections 52, 54, 56, 57, 58 and 59 of the Customs Act 1967)

JKED No. 4

(√) Tanda kotak yang berkenaan/Tick the appropriate box

Daftar Muatan Masuk/ <i>Inward Manifest</i>		Daftar Muatan Keluar/ <i>Outward Manifest</i>		Daftar Muatan Pemindahan/ <i>Transshipment Manifest</i>	
1. Nama Bahera/Kapal Udara/No. Pelayaran/No. Penerbangan <i>Name of Vessel/Air Craft/Voyage No./Flight No.</i>			2. Negara Didaftarkan/ <i>State of Registration</i>		
3. Ejen <i>Agent</i>		4. Operator Pelabuhan/ <i>Port Operator</i>		5. Tarikh Ketibaan/Tarikh Berlepas <i>Date of Arrival/Date of Departure</i>	
6. Pelabuhan Terakhir <i>Last Port of Call</i>		7. Pelabuhan Dituju <i>Next Port of Call</i>		8. Pelabuhan Muatan <i>Port of Loading</i>	
9. Pelabuhan Ketibaan <i>Port of Arrival</i>		10. No. Giliran Berlabuh <i>Ship Call No. (SCN)</i>		11. Pelabuhan Berlepas <i>Port of Departure</i>	
12. No. Surat Muatan <i>Bill of Lading No.</i>		13. Pengirim <i>Consignor</i>		14. Penerima <i>Consignee</i>	
15. Jumlah dan Jenis Bungkus <i>Quantity and Type of Packages</i>					
16. Perihal dan Tanda-tanda Bungkusan <i>Description and Marks on Packages</i>		17. Perihal Barang <i>Description of Goods</i>		18. Berat Kasar <i>Gross Weight</i>	
				19. Ukuran (m ³) <i>Measurement (m³)</i>	
				20. Catatan <i>Remarks</i>	
Saya mengaku bahawa daftar muatan ini adalah lengkap, betul serta mematuhi semua peruntukan Akta Kastam 1967. <i>I hereby declare that this manifest is complete, correct and comply with all the provisions under the Customs Act 1967.</i>					
..... Tarikh / Date		 Tandasangan Nakhoda/Ejen <i>Signature of Master/Agent</i>		

Nota/Notes:

Butiran 5 "Tarikh Ketibaan", Butiran 6 "Pelabuhan Terakhir" dan Butiran 9 "Pelabuhan Ketibaan" adalah bagi daftar muatan masuk
 Item 5 "Date of Arrival", Item 6 "Last Port of Call" and Item 9 "Port of Arrival" are for inward manifest
 Butiran 5 "Tarikh Berlepas", Butiran 7 "Pelabuhan Dituju" dan Butiran 11 "Pelabuhan Berlepas" adalah bagi daftar muatan keluar
 Item 5 "Date of Departure", Item 7 "Next Port of Call" and Item 11 "Port of Departure" are for outward manifest

FORM JKED 4

Inward Manifest

Outward Manifest

Transshipment

Manifest

PREPARATION & SUBMISSION OF DECLARATION FORMS

- **Submitted in accordance with the method of entry e.g. K1, K2, K8, and K9**
- **Declarations forms to be complete, transparent and accurate**
- **Declaration can be made by owner or Authorised Customs Broker (S.90 CA)**
- **Electronic Declaration vide electronic Data Interchange for registration and agents to receive response for duty payment.**
- **<http://www.dagangnet.com/>**
- **Electronic Declaration since 1996**

DECLARATION OF IMPORT



INWARD MANIFEST

- **Inward manifest (JKED 4) must be lodged at customs office upon arrival by agent / captain of vessel / aircraft (S.52 & S 56)**
- **Time of presenting JKED 4**
 - **Vessel : Within 24 hours after arrival**
 - **Aircraft : At time of arrival**
 - **Rail : At time of arrival to produce railway bill or waybill**
- **Inward manifest lists out the details of goods to be unloaded into the country for importation purposes**
- **manifest is submitted by way of e-manifest**

IMPORT DECLARATION

- **CUSDEC to be submitted electronically via CIS* Dagang Net.**
- **Section 78 & 81 of the Customs Act 1967 :**
 - **Dutiable goods - within 1 month**
 - **Non-dutiable goods - within 10 days after the arrival of vessel.**
- **Section 79 & 87 - Declaration to give a full and true account.**

DECLARATION OF EXPORT



EXPORT DECLARATION

- **CUSDEC to be submitted electronically via CIS* Dagang Net.**
- **Section 80(1) & 84(1) of the Customs Act 1967 :**
 - **Present such goods to Customs;**
 - **Pay the duty/any charges leviable.**
- **Section 80(3) & 87 - Declaration to give a full and true account.**

SUPPORTING DOCUMENTS

- **Bill of Lading, AWB, Consignment Note**
- **Invoices, Brochures & Catalogues**
- **Certificate of origin – Forms D, E, AK, MJEPA, MPFTA etc.**
- **Banking documents**
- **Weight list & Packing list**
- **Import License if applicable**
- **Certificate of Exemptions – LMW, TE, CJ(5), CJ(P)2**
- **Declaration to give a full and true account**

Shipper Instruction.

OUTWARD MANIFEST

- **Section 57, Customs Act 1967**
- **Submitted within 7 days of the departure of the vessel**
- **Regulation 18, Free Zones Regulations 1991:**
 - **True Inward or transhipment manifest (arriving) or True Outward/to be presented before the departure of vessel**
- **manifest is submitted by way of e-manifest**

TRANSIT, TRANSHIPMENT & MOVEMENT



TRANSIT / TRANSHIPMENT/ MOVEMENT

- Transshipment

- **Unloading / transferring from one vessel / aircraft to another vessel / aircraft for the purpose of shipment out of Malaysia on another vessel / aircraft, within the same free zone (Reg. 2 FZ Act)**

Transit

- **Goods taken or sent from any country and brought into Malaysia by land, sea or air (whether or not landed or transhipped in Malaysia) for the sole purpose of being carried to another country either by the same or another conveyance S.2 CA**

Movement

- **Transfer of duty unpaid goods within the PCA**



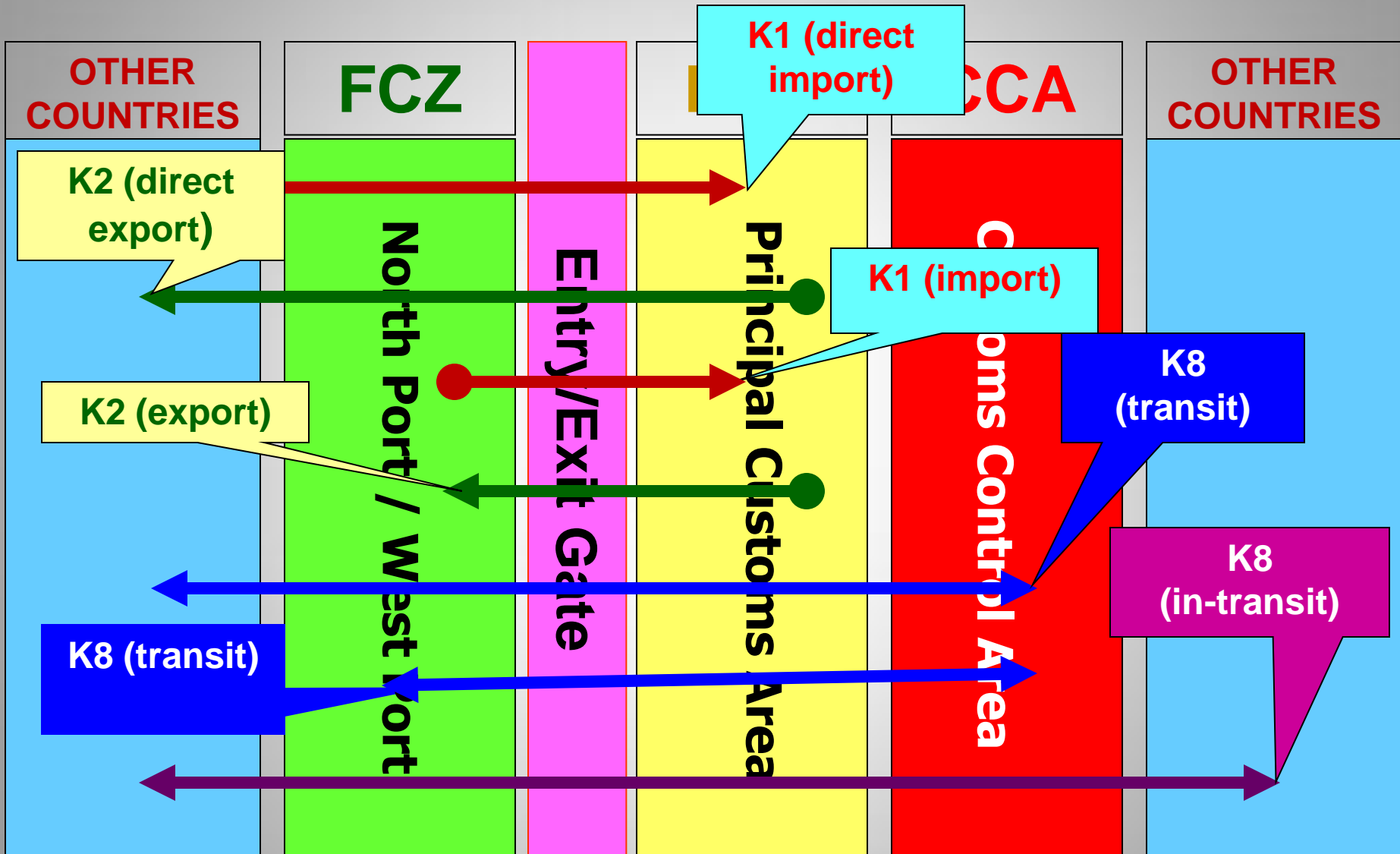
TRANSHIPMENT MANIFEST

- **Section 52(2), Customs Act 1967 :**
 - **A separate transshipment manifest shall be presented in respect of goods to be transhipped at the customs port.**
- **Submission of transshipment manifest is also provided under Regulation 18, Free Zones Regulation 1991; time of submission similar to inward and outward manifest.**
- **Form JKED No.4 (Manifes Pindah Kapal)**

MOVEMENT CONTROL BY CUSTOMS

- Import into PCA through FZ (Direct Import)
- Export from PCA through FZ (Direct Export)
- Import from FZ to PCA
- Export to FZ from PCA
- Movement to other places under Customs Control (transit)
- In-transit to another country

MOVEMENT CONTROL BY CUSTOMS



FORM K1 (IMPORT)

CUSTOMS OFFICIAL RECEIPT (COR)

JABATAN KASTAM DIRAJA MALAYSIA / ROYAL MALAYSIAN CUSTOMS DEPARTMENT
PENGAKUAN BARANG-BARANG YANG DIMPOR / DECLARATION OF GOODS IMPORTED

Kategori No. / Pa. / 2002
Customs No. / Box No. 2002

1

1. Nama / Pengirim (Nama dan Alamat)
Company / Exporter (Name and Address)

2. Nama / Pengirim (Nama dan Alamat)
Company / Importer (Name and Address)

3. Nama dan Alamat Agensi yang Diluluskan
Name and Address of Authorized Agent

4. Cara Pengaliran / Mode of Transport

5. No. Nama Kapal/Pemindahan Kenderaan
No. Name of Vessel / Flight Certificate

6. Pelabuhan / Tempat Berlepas
Port/Place of Loading

7. Tarikh dan No. No. Kemas
Mark and No. Container No.

8. Nama Pelabuhan Asal / Name of Port of Origin

9. No. Kemas / No. Container

10. No. Kemas / No. Container

11. No. Kemas / No. Container

12. No. Kemas / No. Container

13. No. Kemas / No. Container

14. No. Kemas / No. Container

15. No. Kemas / No. Container

16. No. Kemas / No. Container

17. No. Kemas / No. Container

18. No. Kemas / No. Container

19. No. Kemas / No. Container

20. No. Kemas / No. Container

21. No. Kemas / No. Container

22. No. Kemas / No. Container

23. No. Kemas / No. Container

24. No. Kemas / No. Container

25. No. Kemas / No. Container

26. No. Kemas / No. Container

27. No. Kemas / No. Container

28. No. Kemas / No. Container

29. No. Kemas / No. Container

30. No. Kemas / No. Container

31. No. Kemas / No. Container

32. No. Kemas / No. Container

33. No. Kemas / No. Container

34. No. Kemas / No. Container

35. No. Kemas / No. Container

36. No. Kemas / No. Container

37. No. Kemas / No. Container

38. No. Kemas / No. Container

39. No. Kemas / No. Container

40. No. Kemas / No. Container

41. No. Kemas / No. Container

42. No. Kemas / No. Container

43. No. Kemas / No. Container

44. No. Kemas / No. Container

45. No. Kemas / No. Container

46. No. Kemas / No. Container

47. No. Kemas / No. Container

48. No. Kemas / No. Container

49. No. Kemas / No. Container

50. No. Kemas / No. Container

51. No. Kemas / No. Container

52. No. Kemas / No. Container

53. No. Kemas / No. Container

54. No. Kemas / No. Container

55. No. Kemas / No. Container

56. No. Kemas / No. Container

57. No. Kemas / No. Container

58. No. Kemas / No. Container

59. No. Kemas / No. Container

60. No. Kemas / No. Container

61. No. Kemas / No. Container

62. No. Kemas / No. Container

63. No. Kemas / No. Container

64. No. Kemas / No. Container

65. No. Kemas / No. Container

66. No. Kemas / No. Container

67. No. Kemas / No. Container

68. No. Kemas / No. Container

69. No. Kemas / No. Container

70. No. Kemas / No. Container

71. No. Kemas / No. Container

72. No. Kemas / No. Container

73. No. Kemas / No. Container

74. No. Kemas / No. Container

75. No. Kemas / No. Container

76. No. Kemas / No. Container

77. No. Kemas / No. Container

78. No. Kemas / No. Container

79. No. Kemas / No. Container

80. No. Kemas / No. Container

81. No. Kemas / No. Container

82. No. Kemas / No. Container

83. No. Kemas / No. Container

84. No. Kemas / No. Container

85. No. Kemas / No. Container

86. No. Kemas / No. Container

87. No. Kemas / No. Container

88. No. Kemas / No. Container

89. No. Kemas / No. Container

90. No. Kemas / No. Container

91. No. Kemas / No. Container

92. No. Kemas / No. Container

93. No. Kemas / No. Container

94. No. Kemas / No. Container

95. No. Kemas / No. Container

96. No. Kemas / No. Container

97. No. Kemas / No. Container

98. No. Kemas / No. Container

99. No. Kemas / No. Container

100. No. Kemas / No. Container

UNTUK KEGUNAAN RAHMATI / FOR OFFICIAL USE

1. No. Kemas / No. Container

2. No. Kemas / No. Container

3. No. Kemas / No. Container

4. No. Kemas / No. Container

5. No. Kemas / No. Container

6. No. Kemas / No. Container

7. No. Kemas / No. Container

8. No. Kemas / No. Container

9. No. Kemas / No. Container

10. No. Kemas / No. Container

11. No. Kemas / No. Container

12. No. Kemas / No. Container

13. No. Kemas / No. Container

14. No. Kemas / No. Container

15. No. Kemas / No. Container

16. No. Kemas / No. Container

17. No. Kemas / No. Container

18. No. Kemas / No. Container

19. No. Kemas / No. Container

20. No. Kemas / No. Container

21. No. Kemas / No. Container

22. No. Kemas / No. Container

23. No. Kemas / No. Container

24. No. Kemas / No. Container

25. No. Kemas / No. Container

26. No. Kemas / No. Container

27. No. Kemas / No. Container

28. No. Kemas / No. Container

29. No. Kemas / No. Container

30. No. Kemas / No. Container

31. No. Kemas / No. Container

32. No. Kemas / No. Container

33. No. Kemas / No. Container

34. No. Kemas / No. Container

35. No. Kemas / No. Container

36. No. Kemas / No. Container

37. No. Kemas / No. Container

38. No. Kemas / No. Container

39. No. Kemas / No. Container

40. No. Kemas / No. Container

41. No. Kemas / No. Container

42. No. Kemas / No. Container

43. No. Kemas / No. Container

44. No. Kemas / No. Container

45. No. Kemas / No. Container

46. No. Kemas / No. Container

47. No. Kemas / No. Container

48. No. Kemas / No. Container

49. No. Kemas / No. Container

50. No. Kemas / No. Container

51. No. Kemas / No. Container

52. No. Kemas / No. Container

53. No. Kemas / No. Container

54. No. Kemas / No. Container

55. No. Kemas / No. Container

56. No. Kemas / No. Container

57. No. Kemas / No. Container

58. No. Kemas / No. Container

59. No. Kemas / No. Container

60. No. Kemas / No. Container

61. No. Kemas / No. Container

62. No. Kemas / No. Container

63. No. Kemas / No. Container

64. No. Kemas / No. Container

65. No. Kemas / No. Container

66. No. Kemas / No. Container

67. No. Kemas / No. Container

68. No. Kemas / No. Container

69. No. Kemas / No. Container

70. No. Kemas / No. Container

71. No. Kemas / No. Container

72. No. Kemas / No. Container

73. No. Kemas / No. Container

74. No. Kemas / No. Container

75. No. Kemas / No. Container

76. No. Kemas / No. Container

77. No. Kemas / No. Container

78. No. Kemas / No. Container

79. No. Kemas / No. Container

80. No. Kemas / No. Container

81. No. Kemas / No. Container

82. No. Kemas / No. Container

83. No. Kemas / No. Container

84. No. Kemas / No. Container

85. No. Kemas / No. Container

86. No. Kemas / No. Container

87. No. Kemas / No. Container

88. No. Kemas / No. Container

89. No. Kemas / No. Container

90. No. Kemas / No. Container

91. No. Kemas / No. Container

92. No. Kemas / No. Container

93. No. Kemas / No. Container

94. No. Kemas / No. Container

95. No. Kemas / No. Container

96. No. Kemas / No. Container

97. No. Kemas / No. Container

98. No. Kemas / No. Container

99. No. Kemas / No. Container

100. No. Kemas / No. Container

Tarikh / Date

Tandatangan / Signature

Tarikh / Date

Pegawai Kastam Yang Bertanggungjawab / Proper Officer of Customs

PAPERLESS

913120

Resit Rasmi

No. Seri /
2008-0009025
(30-09-2008 14:06:21)

* ASAL *

KASTAM DIRAJA MALAYSIA

No. Pendaftaran:
1-09-018573-2008-B18 (30-09-2008 14:02)

No. B/L/AWB/Pas Pemas:
146800335737

Maklumat Agensi/Syarikat:
BE0985 EQUATORIAL LOGISTICS SDN BHD
3B-307162V
TRACTRON INDUSTRIES SDN BHD
LOT 11, JALAN PERUSAHAAN 4,
BATU CAVES INDUSTRIAL AREA,
68100 BATU CAVES, SELANGOR.

30-09-2008 13:57 P5T02A / 1189371M 6,079.52

72-0-0/0/0/1-0-0/3/3/001-D_

No. Kemas / No. Container: 8411899000

No. Bilal / No. Invoice: 4

Deskripsi ringkas barang:
[1X20FT] EXCAVATOR PARTS

9WR459 BUCKET TIP
= 1440 PCS

Rev: smk.ph2.001

BARISAN PUKULAN BARISAN BUKU /
SERI / NO. / 01

FORM K2 SMK (STA Self Declaration)

KEK21 - SEA MODE						
KEK21	L	22-03-2012	09:48:48	SISTEM MAKLUMAT KASTAM (KDRM)	ARCHIVE: <input type="checkbox"/>	NAZRI MOHD NOR URUSETIA8
PAPERLESS		K2 REGISTRATION		*EDI FORM*		P.KLANG - B18
Form Reg. No:	2-03-011850/12	B18	Transaction Type:	E	NORMAL EXPORT	Duty Status: ND NON DUTIABLE
Form Header	Participant	Item	Cargo	QGA / Remark	Vehicle	PE
Importer Name:	JMW MOTORS CO., LTD					
Exporter Code:	B-231892K					
Exporter Name:	FADER AUTO PARTS SUPPLY SDN BHD					
Agent:	BF0007-BUMI RAYA SDN BHD					
Vessel Reg.:	A1484	Voyage:	YCTW			
Vessel Name:	ASTA RICKMERS		Container Status:	1-FCL (LOCAL)		
B/L No.:	01PKGLKB1203001	BL/AWB	No. of Container:	1		
		Container No.:	GESU2487340			
Exemption Type:	<input type="checkbox"/> (General)	<input type="checkbox"/> (Treasury)	-	/		
	(LMW)					
Export Permit 1:	<input type="checkbox"/>	<input type="checkbox"/>	/			S.T.A.: N
Export Permit 2:	<input type="checkbox"/>	<input type="checkbox"/>	/			
Bank Guarantee:	/	<input type="checkbox"/>	Temp.Export:	/		
Other Form No.:	-	-	/	<input type="checkbox"/>		
Sp. Treatment:	<input type="checkbox"/>					
WH Licence:	<input type="checkbox"/>	/	<input type="checkbox"/>			
ADM No.:	<input type="checkbox"/>	/	<input type="checkbox"/>			
Invoice No.:	TH-CHI120302-2		Invoice Date:	16/03/12		
Mode of Transport:	1		Status:	APPR & REL		
Date of Export:	20/03/12		Selectivity:			
Place of Export:	PKG		Item:	4		
Place of Discharge:	LKRTH		Value:	68,125.91		
VIA:	<input type="checkbox"/>		Duty:	0.00		
Final Destination:	TH		EDuty:	0.00		
Country of Origin:	JP					
FEX:	2.9767	USD				
Receive:	23840.00	TH				
Equivalent:	70964.52			SMKGuide		
FOB:	68125.95					
Insurance:	681.25	Grs.Wght (KG):	18800.0000			
Freight:	2838.58	Measure (M3):	26.0000			
Registration:	16/03/12	14:46				
Approval:	16/03/12	18:03	580414035689			
Receiving:						
Release:	16/03/12	18:03	580414035689			
Block/Cancel:						
1 Menu	2 Clear	3 Close	4 Tab	5	6 Cancel	7 Blk/Hld
				8	9	10 Update
					11 Create	12 Inquiry

FORM K2 SMK (STA Self Declaration)

KEK21 - SEA MODE												
KEK21 L 22-03-2012 09:37:31		SISTEM MAKLUMAT KASTAM (KDRM)		ARCHIVE: <input type="checkbox"/>	NAZRI MOHD NOR	URUSETIAH						
PAPERLESS			K2 REGISTRATION	*EDI FORM*		P.KLANG - B18						
Form Reg. No: 2-03-011848/12		B18	Transaction Type: E	NORMAL EXPORT		Duty Status: ND NON DUTIABLE						
Form Header	Participant	Item	Cargo	QGA / Remark	Vehicle	PE						
Importer Name: SGL CARBON GMBH Exporter Code: B-343147M Exporter Name: SGL CARBON SDN. BHD. Agent: BF0001-CENTRAL FORWARDING AGENCY SDN BHD			Mode of Transport: 1 Date of Export: 18/03/12 Place of Export: PKG Place of Discharge: HAMDE VIA: Final Destination: DE Country of Origin: MY		Status: APPR & REL Selectivity: Item: 1 Value: 26,196.28 Duty: 0.00 EDuty: 0.00							
Vessel Reg.: U0202 Voyage: YEF4 Vessel Name: UNI PREMIER Container Status: 1-FCL (LOCAL) B/L No.: 091230058284 BL/AWB No. of Container: 1 Container No.: EISU3906719			FEX: 2.9767 USD Receive: 10101.46 DE Equivalent: 30069.01 FOB: 26196.29 Insurance: 300.69 Grs.Wght (KG): 8337.0000 Freight: 3572.04 Measure (M3): 20.0000									
Exemption Type: (General) (Treasury) - / (LMW)			SMKGuide									
Export Permit 1: LTA - 105 - 708M0014/11 *Permit* S.T.A.: Y												
Export Permit 2: / / / / /												
Bank Guarantee: / / / / / Temp.Export: / / /												
Other Form No.: - - / / /												
Sp. Treatment: / / / / /												
WH Licence: / / / / /												
ADM No: / / / / /												
Invoice No: 69200972 Invoice Date: 14/03/12												
Registration: 16/03/12 14:46 Approval: 17/03/12 14:50 851023025557 Receipting: Release: 17/03/12 14:50 851023025557 Block/Cancel:												
1 Menu	2 Clear	3 Close	4 Tab	5	6 Cancel	7 Blk/Hld	8	9	10 Update	11 Create	12 Inquiry	
GM13N RECORD RETRIEVED.												

Consignee

PENANG, MALAYSIA

09/03/2012 17:47

W20103023972

Page 1 of 1

B 493085W

IMPORT/EKSPORT W20

020570

age : 1

ode : 10

opies : 1

Consignor

PENOLONG KANAN PENGARAH KASTAM
IMPORT PERGUDANGAN
KLIA SEPANG
SELANGOR.

BF0381

Agent

ICE
B

MALAYSIA

MY -

232-51223900 / G020570

4		09/03/2012				27.82
MH1137	KUALA LUMPUR	MYKUL	0.00		3201.38	391.28
PENANG	MYPEN		3.5000/KGM		0.0000/MTQ	2782.28

IV NO: 121127290

2 CARTON

TEST & MEASUREMENT INSTRUMENTS

ICOTERM: CIF

FOB: RM2782.2800 + <FRT: 391.2800 * MYR@1.0000 = RM391.2800> + <INS: RM27.8200> = <CIF: RM3201.3800>

CIF: RM3201.3800 + <PORT: RM0.0000> = <FOM: RM 3201.3800> || <<INV: 1048.9800 USD@3.0519>> ||

S ADDR

1) LAN/GPIB MULTIPOINT CONTROLLER TO CONTROL GP

~~3471809000~~ UNT

2) CABLE GPIB/1MT RATED

~~854429020~~ KGM

1) MY	1.0000 /UNT	3001.0839	3001.08			N/D			
		3							
2) MY	1.0000 /KGM	200.29607	200.30	30%	60.09	N/D	ST	10%	26.04
		2.0000	3201.38						

1576

N/D

10%

MOHD ASLI BIN SAEDAN

3201.38

60.09

0.00

26.04

780801015991

EXECUTIVE

PENOLONG KANAN PENGARAH KASTAM
IMPORT PERGUDANGAN
KLIA SEPANG
SELANGOR.

86.13

09/03/2012

BORANG K8

TEMPORARY RELEASE BY
SENDING STATION

RELEASE BY RECEIVING
STATION

PARALLEL (K8
INFO)

- Duties/tax secured by BG/GB
- No waiver on Permit/Licence except in-transit
- Approved vehicles
- Customs seal

Page 2 of 2
SUPER
8

JOB: +I-00000007
TIONALE ENTERPRISES PTE LTD
77 HIGH STREET, #11-02
HIGH STREET PLAZA,
SINGAPORE 179433

OPTIMIZ ZONE Sdn Bhd
DIFERDANA WESTPORT DISTRIKARK, BLK C
DRY BULK TERMINAL 1, JLN T. FELAUHUN
BARAT, PULAU TENDAH, 42009 PORT KLANG

HLH SERVICES Sdn Bhd
NO. 27, JALAN SRI PERKASA 2/22,
TAMAN TAMPOI UTAMA,
81200 JOHOR BAHRU, JOHOR

29-04-2008

J25-D-04012970/08
29/04/2008 16:35 TANJONG KUPANG J 2 8

AZMAN REALIAS

10000055/2008
J25-TANJONG KUPANG MALAYSIA H Y
BIS-P. KELANG (BARAT)
MALAYSIA ((10000055/08)) H Y 2194.78

223904.14 700.00
996.18 0 221009.36

DRY NO: 353/2008
DRY INFO: 1002 19218.00 3.1887

NO	QTY	UNIT	DESCRIPTION	AMOUNT
1	146	BOX	183.2873	26476.55
2				25487.55
3				223904.14

DUTY EX : 0.00
SALISHTAX EX : 0.00
TOTAL EX : 0.00

0401297008

MURIL AZMI B. MOHAMED LONG
041100065233

FORWARDING CLERK
29/04/2008

BORANG K8 SMK (STA Self Declaration)

KEK81 - SEA MODE

KEK81 L 22-03-2012 09:57:55 SISTEM MAKLUMAT KASTAM (KDRM) ARCHIVE: NAZRI MOHD NOR URUSETIA8

K8 REGISTRATION (INCOMING) *EDI FORM* P.KLANG - B18

Reg.No (In): C-03-000012/12 B18 Reg.No (Out): D-02-000365/12 B20 Transaction Type: E EXPORT TRANSHIPMENT

Form Header	Participant	Item	Cargo	QGA / Remarks	Vehicle	LicensedVehicle	PE
-------------	-------------	------	-------	---------------	---------	-----------------	----

Consignor Code: B-185612K
Consignor Name: SONY SUPPLY CHAIN (M) SDN BHD
Consignee Code: Z-123456
Consignee Name: NEWSAN S.A
Agent Code: BF0194
Agent Name: TASC0 BERHAD

Mode of Transport: 1
Type of Movement: WE
Date of Movement: 04/03/12
Place of Discharge: USHAR
Place of Loading: PKGMY
VIA:
Final Destination: AR
Moved From: B20
To: B18

Status: REGISTERED
Selectivity:
Item: 4
Value: 1,645,858.11
Duty: 164,585.81

Vessel Reg.: H0789 Voyage: YC87
Vessel Name: HYUNDAI BRIDGE Container Status: 1-FCL (LOCAL)
B/L No.: PKPK358082 BL/AWB No. of Container: 6
Container No.: BSIU9209663

Import Permit 1: /
Import Permit 2: /
B.G./G.B. No.: 00000002/11 B20
Other Form No: /
WH Lic. (From): G1 - 00000001/99 B20
WH Lic. (To): /
Invoice No: 212090 Invoice Date: 28/02/12

FOB: 1645858.19 Grs.Wght (KG): 31730.0000
Insurance: 16458.59 Measure (M3): 382.3830
Freight: 65834.33 Pay From: SG
Other: 0.00
CIFC: 1728151.11

S.T.A.: N

SMKGuide

Receive Date: 01/03/12 01:33 581019085955
Released:
Original: 29/02/12 15:00

1 Menu 2 Clear 3 Close 4 Tab 5 6 Cancel 7 Blk/Hld 8 Release 9 10 Update 11 Create 12 Inquiry

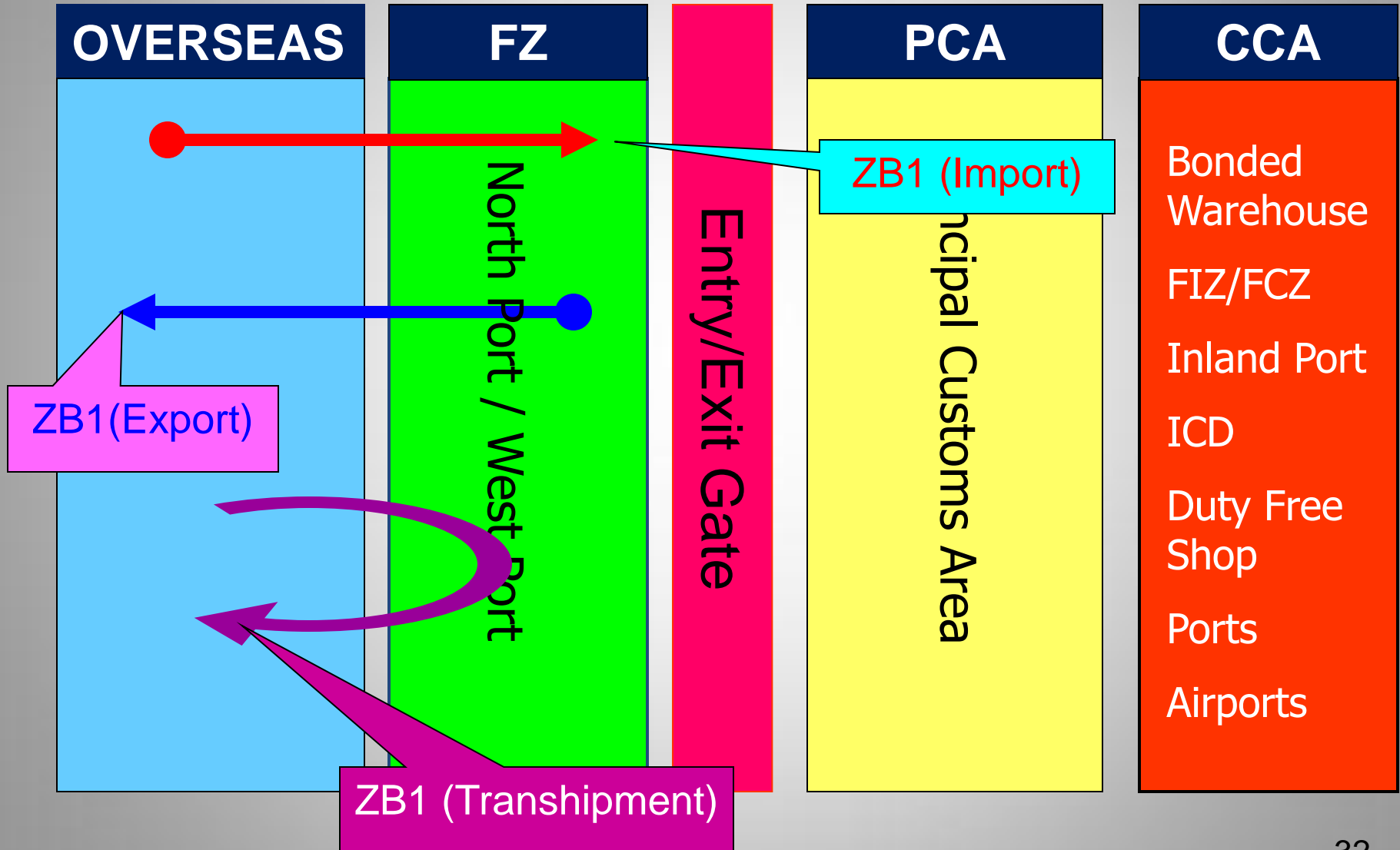
GM13N RECORD RETRIEVED

Transaction Type : E

MOVEMENT CONTROL BY ZONE AUTHORITY

- Import into Free Zone
- Export from Free Zone
- Transshipment at Free Zone

MOVEMENT CONTROL BY ZONE AUTHORITY



FORM ZB1 (IMPORT/EXPORT/TRANSHIPMENT)

PANGKASAN KANTUN BERKAS BUKAN SYARIAH / FREE ZONE ACT 1998 / PENGABRIAN PERGERAKAN BARANG-BARANG / DECLARATION OF MOVEMENT OF GOODS

ZB No. 1 (Final) 2002 / ZB No. 1 (Rev. 2) 2002

Membuatkan bentuk yang tertera. / Fill in the appropriate box.

ZB 1	IMPORT / IMPORT	EKSPORT / EXPORT	PINDAHKAPAL / TRANSHIPMENT
1. Alamat Pengirim (Nama dan Alamat) / Consignor (Name and Address)		2. Alamat Penerima (Nama dan Alamat) / Consignee (Name and Address)	
3. Nama dan Alamat Pihak yang Ditunjuk / Name and Address of Authorized Agent		4. Cara Pengangkutan / Mode of Transport	
5. No. Nama Kapal / Perahu / Pesawat / Pesawat / No. Name of Vessel / Ship / Aircraft / Aircraft		6. No. Nama Kapal / Perahu / Pesawat / Pesawat / No. Name of Vessel / Ship / Aircraft / Aircraft	
7. No. dan Jenis Barang / No. and Type of Goods		8. No. dan Jenis Barang / No. and Type of Goods	
9. No. dan Jenis Barang / No. and Type of Goods		10. No. dan Jenis Barang / No. and Type of Goods	
11. No. dan Jenis Barang / No. and Type of Goods		12. No. dan Jenis Barang / No. and Type of Goods	
13. No. dan Jenis Barang / No. and Type of Goods		14. No. dan Jenis Barang / No. and Type of Goods	
15. No. dan Jenis Barang / No. and Type of Goods		16. No. dan Jenis Barang / No. and Type of Goods	
17. No. dan Jenis Barang / No. and Type of Goods		18. No. dan Jenis Barang / No. and Type of Goods	
19. No. dan Jenis Barang / No. and Type of Goods		20. No. dan Jenis Barang / No. and Type of Goods	
21. No. dan Jenis Barang / No. and Type of Goods		22. No. dan Jenis Barang / No. and Type of Goods	
23. No. dan Jenis Barang / No. and Type of Goods		24. No. dan Jenis Barang / No. and Type of Goods	
25. No. dan Jenis Barang / No. and Type of Goods		26. No. dan Jenis Barang / No. and Type of Goods	
27. No. dan Jenis Barang / No. and Type of Goods		28. No. dan Jenis Barang / No. and Type of Goods	
29. No. dan Jenis Barang / No. and Type of Goods		30. No. dan Jenis Barang / No. and Type of Goods	
31. No. dan Jenis Barang / No. and Type of Goods		32. No. dan Jenis Barang / No. and Type of Goods	
33. No. dan Jenis Barang / No. and Type of Goods		34. No. dan Jenis Barang / No. and Type of Goods	
35. No. dan Jenis Barang / No. and Type of Goods		36. No. dan Jenis Barang / No. and Type of Goods	
37. No. dan Jenis Barang / No. and Type of Goods		38. No. dan Jenis Barang / No. and Type of Goods	
39. No. dan Jenis Barang / No. and Type of Goods		40. No. dan Jenis Barang / No. and Type of Goods	
41. No. dan Jenis Barang / No. and Type of Goods		42. No. dan Jenis Barang / No. and Type of Goods	
43. No. dan Jenis Barang / No. and Type of Goods		44. No. dan Jenis Barang / No. and Type of Goods	
45. No. dan Jenis Barang / No. and Type of Goods		46. No. dan Jenis Barang / No. and Type of Goods	
47. No. dan Jenis Barang / No. and Type of Goods		48. No. dan Jenis Barang / No. and Type of Goods	
49. No. dan Jenis Barang / No. and Type of Goods		50. No. dan Jenis Barang / No. and Type of Goods	
51. No. dan Jenis Barang / No. and Type of Goods		52. No. dan Jenis Barang / No. and Type of Goods	
53. No. dan Jenis Barang / No. and Type of Goods		54. No. dan Jenis Barang / No. and Type of Goods	
55. No. dan Jenis Barang / No. and Type of Goods		56. No. dan Jenis Barang / No. and Type of Goods	
57. No. dan Jenis Barang / No. and Type of Goods		58. No. dan Jenis Barang / No. and Type of Goods	
59. No. dan Jenis Barang / No. and Type of Goods		60. No. dan Jenis Barang / No. and Type of Goods	
61. No. dan Jenis Barang / No. and Type of Goods		62. No. dan Jenis Barang / No. and Type of Goods	
63. No. dan Jenis Barang / No. and Type of Goods		64. No. dan Jenis Barang / No. and Type of Goods	
65. No. dan Jenis Barang / No. and Type of Goods		66. No. dan Jenis Barang / No. and Type of Goods	
67. No. dan Jenis Barang / No. and Type of Goods		68. No. dan Jenis Barang / No. and Type of Goods	
69. No. dan Jenis Barang / No. and Type of Goods		70. No. dan Jenis Barang / No. and Type of Goods	
71. No. dan Jenis Barang / No. and Type of Goods		72. No. dan Jenis Barang / No. and Type of Goods	
73. No. dan Jenis Barang / No. and Type of Goods		74. No. dan Jenis Barang / No. and Type of Goods	
75. No. dan Jenis Barang / No. and Type of Goods		76. No. dan Jenis Barang / No. and Type of Goods	
77. No. dan Jenis Barang / No. and Type of Goods		78. No. dan Jenis Barang / No. and Type of Goods	
79. No. dan Jenis Barang / No. and Type of Goods		80. No. dan Jenis Barang / No. and Type of Goods	
81. No. dan Jenis Barang / No. and Type of Goods		82. No. dan Jenis Barang / No. and Type of Goods	
83. No. dan Jenis Barang / No. and Type of Goods		84. No. dan Jenis Barang / No. and Type of Goods	
85. No. dan Jenis Barang / No. and Type of Goods		86. No. dan Jenis Barang / No. and Type of Goods	
87. No. dan Jenis Barang / No. and Type of Goods		88. No. dan Jenis Barang / No. and Type of Goods	
89. No. dan Jenis Barang / No. and Type of Goods		90. No. dan Jenis Barang / No. and Type of Goods	
91. No. dan Jenis Barang / No. and Type of Goods		92. No. dan Jenis Barang / No. and Type of Goods	
93. No. dan Jenis Barang / No. and Type of Goods		94. No. dan Jenis Barang / No. and Type of Goods	
95. No. dan Jenis Barang / No. and Type of Goods		96. No. dan Jenis Barang / No. and Type of Goods	
97. No. dan Jenis Barang / No. and Type of Goods		98. No. dan Jenis Barang / No. and Type of Goods	
99. No. dan Jenis Barang / No. and Type of Goods		100. No. dan Jenis Barang / No. and Type of Goods	

Tanda Tangan / Signature

APPROVE &
RELEASE BY
FREE ZONE
AUTHORITY

ASSESSMENT OF GOODS

- **Classification of goods**
- **Valuation of goods**
- **For STA items – Technical specification**
**if chemical – Material Safety Data Sheet (MSDS)/
Data Sheet**

VALUATION



CUSTOMS EXAMINATION

- Customs examination
- Physical inspection



PAYMENT OF DUTIES & TAXES

CUSTOMS RELEASE



- Customs release will be granted if :
 - no offence committed
 - Licence/permit required has been submitted
 - All duties/tax liable are paid
- Gate Control System (GCS)



PROHIBITION OF IMPORTS & EXPORTS

PROHIBITION OF IMPORTS / EXPORTS

- **Section 31 of the Customs Act 1967:**



- **Power of Minister of Finance to prohibit imports/exports**
- **Absolutely or conditionally.**

- **The purposes of prohibition :**
 - **Trade protection (steel sheet & pipes)**
 - **National security (arms & ammunition)**
 - **Moral (obscene print, books etc)**
 - **Social (dagger & flick knives)**
 - **Politics (goods from Israel)**
 - **Public health (foods, pesticide, insecticide etc)**
 - **Public safety (construction materials, toys)**
 - **Protection of environment (waste and scrap)**

PERMIT ISSUING AGENCIES – OGA'S

<i>Ref</i>	<i>OGA</i>
1.	FAMA
2.	Pesticide Board
3.	Cocoa Board
4.	Fisheries
5.	Padi Beras
6.	Pineapple Board
7.	Dept of Environment
8.	Wild Life Dept
9.	JPH
10.	PUSAKA (STIDC)
11.	Plant Quarantine
12.	Film Censorship Board
13.	Pharmacy Dept
14.	AELB

<i>Ref</i>	<i>OGA</i>
15.	MITI
16.	MTIB
17.	SIRIM
18.	Tobacco Board
19.	CIDB
20.	Energy Commission
21.	Museum Dept
22.	PDRM (Polis)
23.	LKIM
24.	Treasury (Gaming Division)

PROHIBITION OF IMPORTS

- **Imports subject to Customs (Prohibition of Imports) Order 2008**
- **Contains 4 schedules**
 - **Sch 1.** Absolute Prohibition - in the interest of politics, security, moral and economic reasons e.g. phonographic materials, piranha, daggers & flick knives etc.
 - **Sch 2.** Conditional Prohibition except under Import license - not applicable to FCZ e.g. padi & rice (Agriculture)
 - **Sch 3.** Conditional Prohibition for protecting local industries - not applicable to FCZ e.g. liquid, milk, batik, cable
 - **Sch 4.** Conditional Prohibition except conforming to Malaysian standards i.e. requested by respective Ministries e.g. electrical items tyres, toys, ceramic products

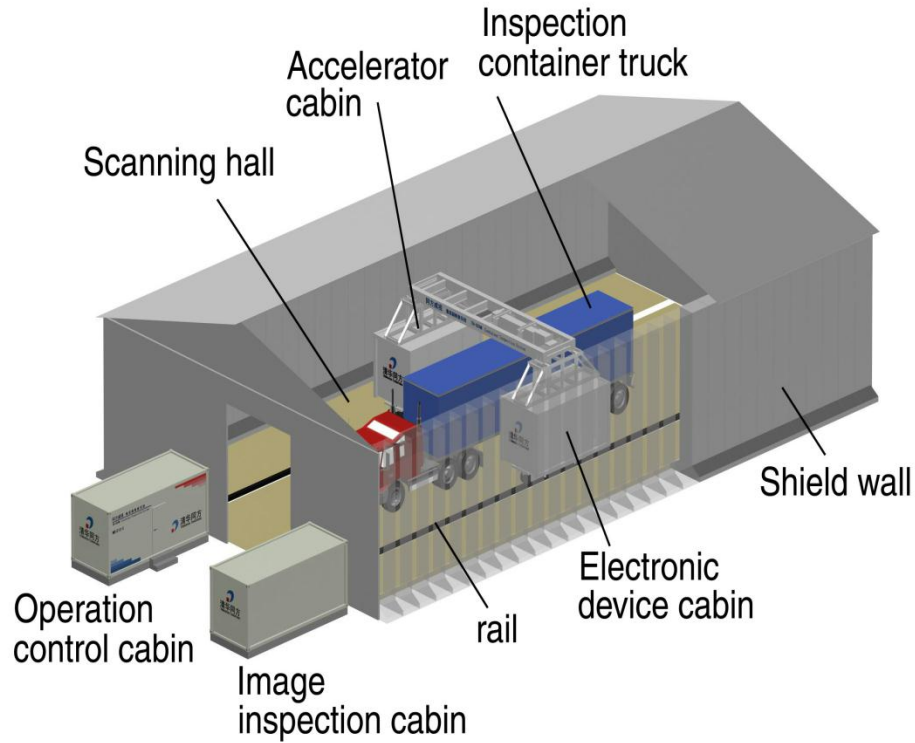
PROHIBITION OF EXPORT

- Exports subject to **Customs (Prohibition of Exports) Order 2012**
- Contains 3 schedules
 - **Schedule 1. Absolutely Prohibited**
 - **Schedule 2. Conditional Prohibition except under Export license (Export License issued by DG)**
 - **Schedule 3. Conditional Prohibition except in the manner provide (Export Licence issued by OGA)**
- **Strategic Trade Act 2010 -**

-

SCANNER EXAMINATION

2. THSCAN MB1215 HS (WESTPORT)



MOBILE RAPIDSCAN 3345 (WESTPORT)



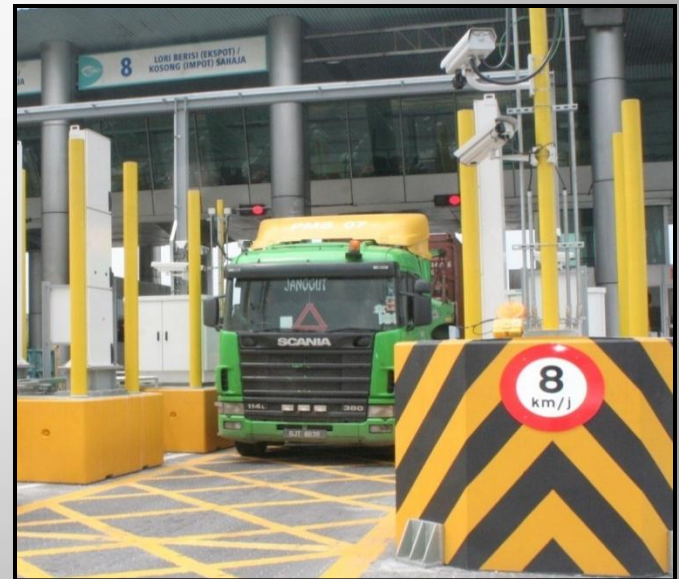
SCANNER LOCATION



MEGAPORT INITIATIVE

■ Radiation Portal Monitor (RPM)

- **Detect the presence of radioactive materials**
 - **Gamma Alarm**
 - **Neutron Alarm**
 - **Neutron Gamma Alarm**
- **Equipped with camera/OCR to identify containers**
- **Drive through type - can scan hundreds of vehicles/hour**
- **Minimum impact on operation**



OFFENCES & PENALTIES UNDER THE CUSTOMS ACT

INSPECTION & INVESTIGATION

- **Duty to keep records for a minimum of 6 years (S.100A)**
- **Documents to be produced on demand (S.100)**
- **Duty to give information (S.101)**
- **Power to take samples (S.104)**
- **Access to places & premises (S.106A & B)**
- **Access to recorded information (S.111B)**
- **Power to examine any person (S.116A)**

SEARCH

- **Search with warrant (S.107)**
- **Search without warrant (S.108)**
- **Powers to search vessels, aircrafts & vehicles (S110 & 111)**
- **Set up road blocks (S.111A)**
- **To open packages & goods (S.112)**
- **Search of persons entering Malaysia (S.113)**

SEIZURE

- **All goods subject of an offence against this Act may be seized on reasonable suspicion (S.114)**
- **Notice in writing of such seizure to be given**
- **Goods seized can be returned on security being furnished (S.115)**
- **Goods of perishable / dangerous nature can be destroyed / sold and proceeds held until result of prosecution(S.115(c))**

ARREST

- **Any Customs Officer has powers of arrest on reasonable suspicion (S.116)**
- **Power to release person arrested on bond/security (S.116A)**
- **Power to remand / detain person arrested for 24 hours**
- **Magistrate can authorize detention not exceeding 15 days (S.116C)**

FORFEITURE OF GOODS

- **All goods liable to seizure shall be liable to forfeiture (S.126)**
- **Goods being subject matter of offence and used in commission of offence**
- **An order for forfeiture / release shall be made by court (S.127)**
- **Goods seized is liable to forfeiture if not claimed within one (1) month (S.128)**

COMPOUNDING OF OFFENCES

- **Any senior officer can compound to a maximum of RM5,000.00 (S.131)**
- **On payment of compound; person in custody to be discharged; property seized to be released – no further proceedings against person & property**
- **Prohibited goods to be forfeited except conditional prohibition – to produce relevant license / permit**

Section 131. Compounding of offences.

Regulation 67. Compounding offences.

OFFENCES & PENALTIES

- **S.133**

- **Offences against documents. max. fine RM500,000 and imprisonment to a max. of 5 years or both**

- **S.134**

- **Refusing to answer or give false information. Max. fine RM1,000.00 or imprisonment to a max. of 6 months or both**

OFFENCES & PENALTIES (cont.)

- **S.135**

- **smuggling offences**

- **Dutiable goods**

- **First offence**

- **Not less than 10 times customs duty and not more than 20 times customs duty whichever is higher or imprisonment not exceeding 3 years or both**

- **Second Offence**

- **Not less than 20 times customs duty and not more than 40 times customs duty whichever is higher or imprisonment not exceeding 5 years or both**

- **If customs duty not ascertainable fine not exceeding RM500,000.00 or imprisonment not exceeding 5 years or both**

OFFENCES & PENALTIES (cont.)

– Prohibited goods

• First offence

- Not less than **10 times** value of goods and not exceeding **20 times** value of goods whichever is higher or imprisonment not exceeding 3 years or both

• Second offence

- not less than **20 times** value of goods, and not exceeding **40 times** value of goods whichever is higher or imprisonment not exceeding 5 years or both
- If value not ascertainable fine not exceeding **RM500,000.00** or imprisonment not exceeding 5 years or both

– Uncustomed goods

- A fine twice the value of goods or **RM 10,000.00** whichever is higher
- If value not ascertainable fine not exceeding **RM10,000.00**

OFFENCES BY COMPANIES

- **Criminal Liability (S.140)**
 - **Any director, manager, secretary or partner**
- **Civil Liability (S.22C)**
 - **Directors shall be jointly and severally liable**
 - **Insufficient assets in case of winding up directors liable**
- **Prevent persons from leaving Malaysia (S.17A)**
 - **Any person owing duty, certificate to DG of Immigration to prevent him from leaving**



THANK YOU

**WAN MOHD RADZI BIN WAN AHMAD
STRATEGIC TRADE OFFICER
STRATEGIC TRADE SECRETARIAT**

Tel no.: 03-62000530

Email: wradzi@miti.gov.my